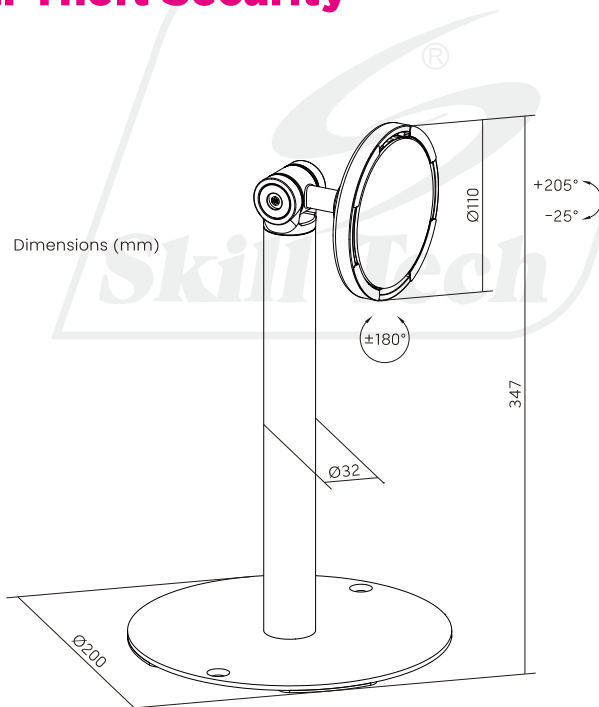


# SH PAD40

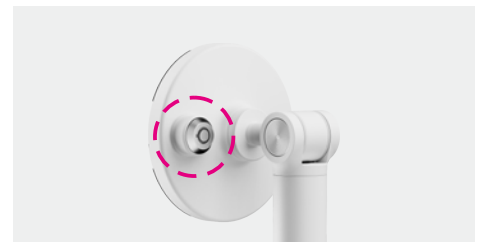
## Universal Anti-Theft Tablet Desk Stand



### For Universal Tablet Fit with Enhanced Anti-Theft Security



**Strong Double-Sided Adhesive**  
for enhanced anti-theft capability



**Security Lock**  
adhesive locks in place to prevent device removal



Fit Screen Size  
**7" ~ 15"**



Weight Capacity  
**1kg/2.2lbs**



Tilt Range  
**+205° ~ -25°**



Screen Rotation  
**+180° ~ -180°**



Anti-theft